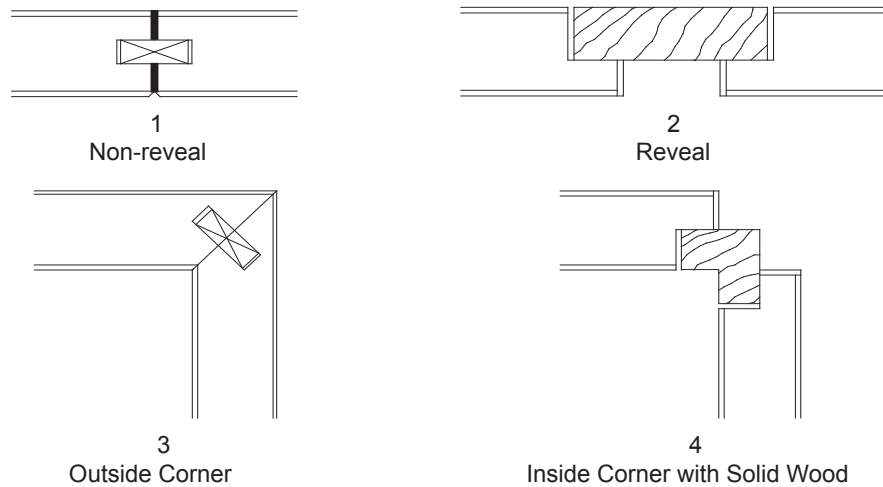


GENERAL

1.2 BASIC CONSIDERATIONS (continued)

1.2.12 DECORATIVE LAMINATE WALL SURFACING (continued)

1.2.12.3 Examples of **SHOP-PREPARED** joint and transition options:

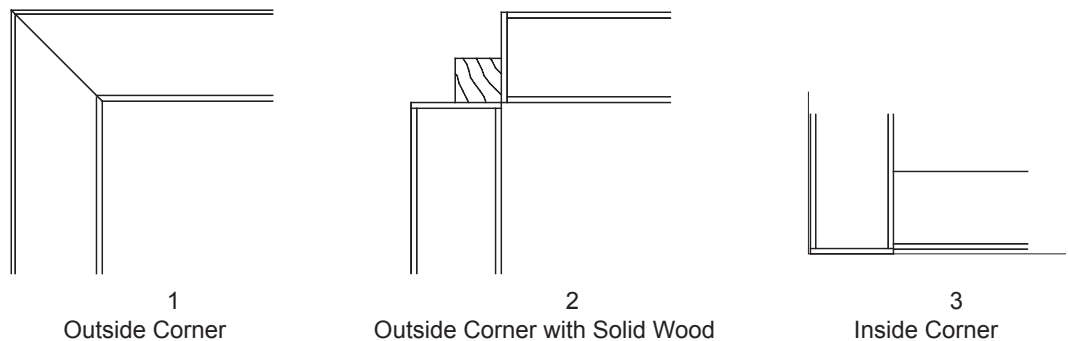


1.2.12.4 Examples of **FIELD-PREPARED** joint and transition options:

1.2.12.4.1 NON-REVEAL JOINTS:



1.2.12.4.2 CORNER JOINTS:



1.2.12.5 Requires the **DESIGN PROFESSIONAL** to specify the desired:

1.2.12.5.1 LAMINATE

1.2.12.5.1.1 Manufacturer

1.2.12.5.1.2 Pattern

1.2.12.5.1.3 Sheen

1.2.12.5.1.4 Pattern direction

1.2.12.5.1.4.1 With lack of specification, pattern direction will be vertical at panels and optional at joints.

1.2.13 SOLID-SURFACE WALL SURFACING

1.2.13.1 Is **NOT** recommended for **EXTERIOR USE** by some manufacturers. Design professionals should coordinate material applications within the manufacturer's guidelines.