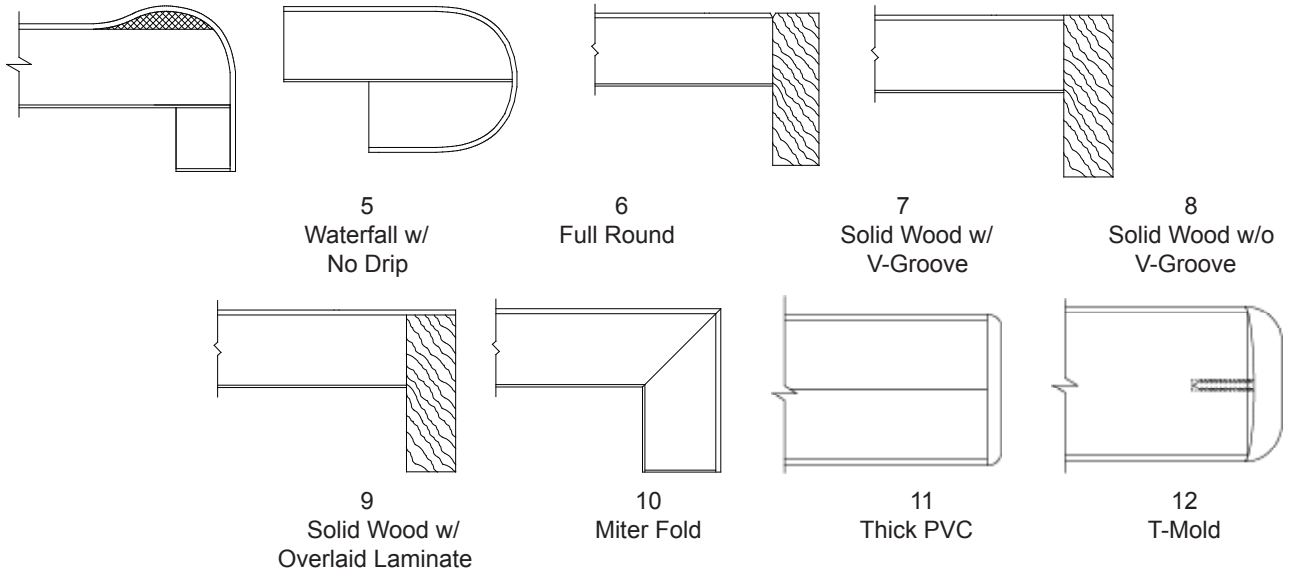


GENERAL

1.2 BASIC CONSIDERATIONS (continued)

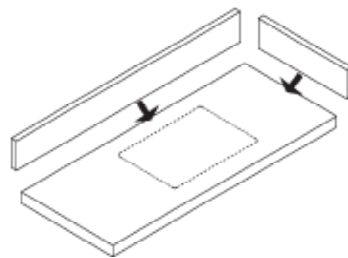
1.2.11 DESIGN CONSIDERATIONS (continued)

1.2.11.4 HPDL front edge options (continued)

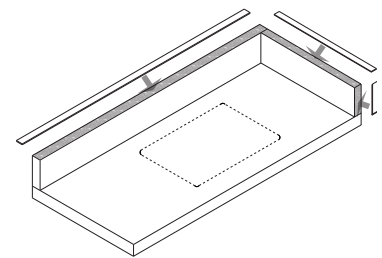


1.2.11.5 HPDL BACK and END SPLASH construction types:

1.2.10.5.1 If not otherwise specified, it shall be the manufacturer's option.

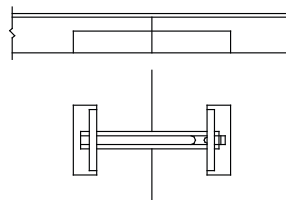


ASSEMBLY 1
Wall Mount, Jobsite Assembled



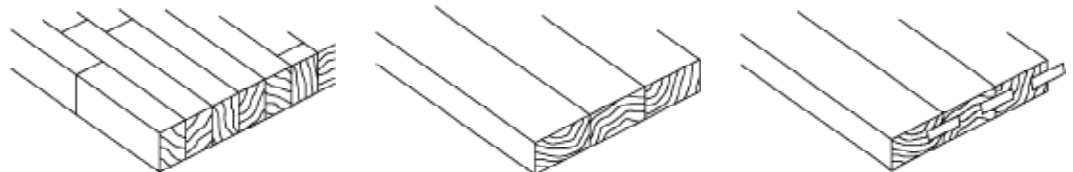
ASSEMBLY 2
Deck Mount, Manufacturer Assembled

1.2.11.6 MECHANICAL TIGHT JOINT FASTENER:



Tight Joint Fastener

1.2.11.7 WOOD countertop configuration options:



1
Solid Butcher Block

2
Solid Wide Width

3
Solid, Splined Wide Width